

# RSB Rotation Stage

## UHV Rotation Stage

Ultra-high vacuum compatible rotation stages intended for intermittent rotation of balanced loads or as a precision gearbox.

Manufactured with UHV compatible material and construction methods and featuring a preloaded worm drive for zero backlash, continuous rotation range and AML D35.1 UHV stepper motors.



## SPECIFICATIONS

Model	RSB10K	RSB20K	RSB30K	RSB90K
Resolution range	360°			
Resolution in full steps	0.036°	0.018°	0.012°	0.004°
Steps per revolution	10,000	20,000	30,000	90,000
Maximum loaded speed	1 kHz 1 sec/rev	1 kHz 20 sec/rev	1 kHz 30 sec/rev	2 kHz 45 sec/rev
Centred load capacity (Normal)	1 kg			
Backlash (Unloaded)	0.04°			
Vacuum	1 x 10 <sup>-10</sup>			
Maximum temperature	200 °C			
Motor	D35.1			
Mass including motor	640 g	710 g	710 g	940 g

As standard CRS rotational stages are supplied lubricated with Nyetorr® 6300 low-vapour pressure (6 x 10<sup>-12</sup> mbar) grease. Dry lubrication with molybdenum disulfide is available as an alternative option but this will reduce the expected life of the worm wheel.

## 北京润诚时代科技有限公司



地址：北京市朝阳区汤立路218号A座 301室

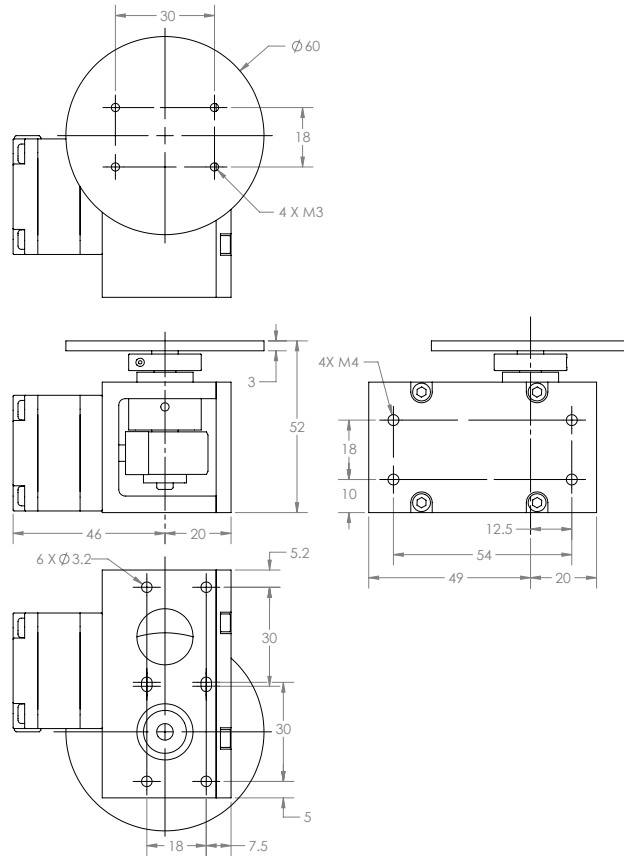
电话：010-84450370

网址：www.runcheng.net

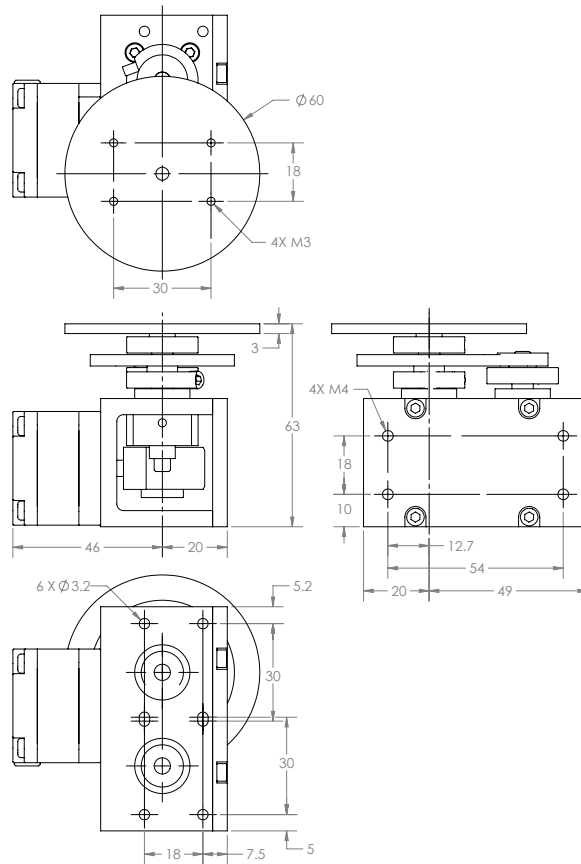
邮箱：runcheng\_emd@sina.com

## DIMENSIONS

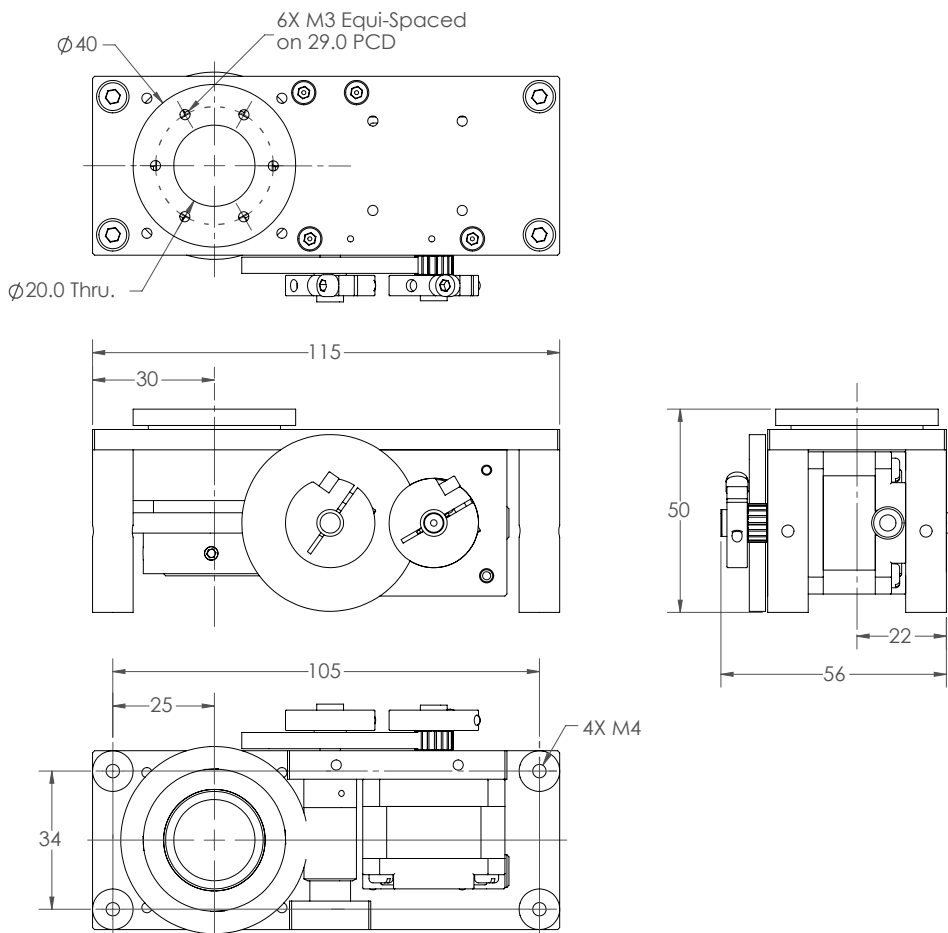
### RSB10K



### RSB20K / 30K



# RSB90K



RSB10K



RSB20K/30K



RSB90K

## ORDERING INFORMATION

Order Code	
RSB10K	0.036° Resolution Rotation stage
RSB20K	0.018° Resolution Rotation stage
RSB30K	0.012° Resolution Rotation stage
RSB90K	0.004° Resolution Rotation stage

Related Products	
SMD210	Stepper Motor Drive
MLF18F	18-way Electrical Feedthrough
MLF18NBL	3 metre lead, SMD210 to MLF18F
LTVL-xxx	Translation Stage, 5 $\mu$ m (xxx = travel in mm)



北京润诚时代科技有限公司

地址：北京市朝阳区汤立路218号A座 301室

电话：010-84450370

网址：www.runcheng.net

邮箱：runcheng\_emd@sina.com