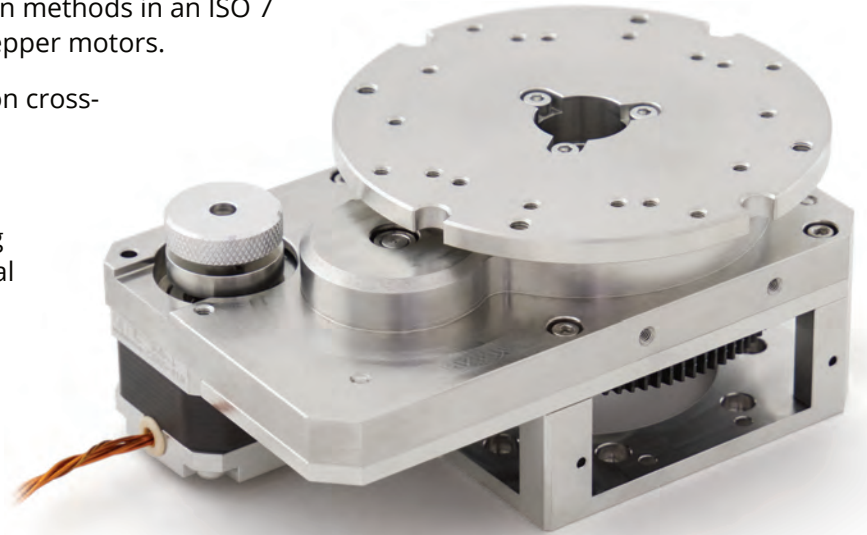


VSM17-R-3K6 Rotation Stage

Modular UHV Rotation Sample Transporter

AML ultra high vacuum compatible rotation stages are manufactured with UHV compatible material and construction methods in an ISO 7 cleanroom and utilise AML D35.1 UHV stepper motors.

The VSM17-R-3K6 stage feature a precision cross-roller ring bearing system, providing high rotational accuracy capable of bearing loads in every direction. It has a 18 mm clear aperture, anti-backlash spur gearing and can optionally be fitted with an optical UHV compatible rotary encoder.



FEATURES

- 360° rotation range
- 0.1° resolution
- Better than resolution unidirectional repeatability
- Maximum loaded speed of up to 100 rpm
- Maximum torque of up to 1 Nm
- Suitable for use to 1×10^{-10} mBar
- Bakeable to 200 °C
- 100 kg centre load capacity
- Features AML D35.1 stepper motor
- Can optionally be fitted with a limit switch or an optical encoder
- Radiation resistant versions available
- Directly stackable for XYZ orientations
- Compatible with VSM17 modular stages
- May be customised for specific requirements
- Lubricated with NyeTorr® 6300 grease

北京润诚时代科技有限公司 自动化事业部

地址：北京市朝阳区汤立路218号C 座968室

邮编：100012

电话：010-84450370

传真：010-84450371

网址：www.runcheng.net

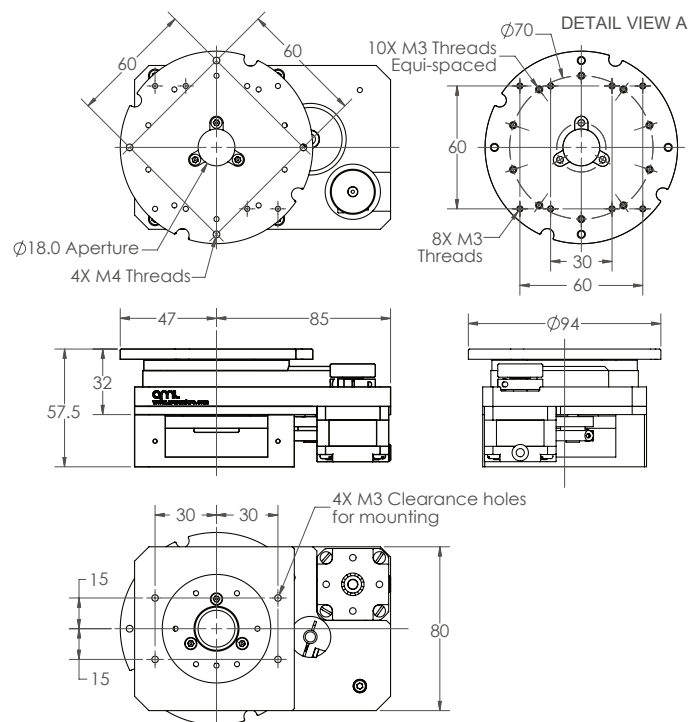
邮箱：runcheng_emd@sina.com

SPECIFICATIONS

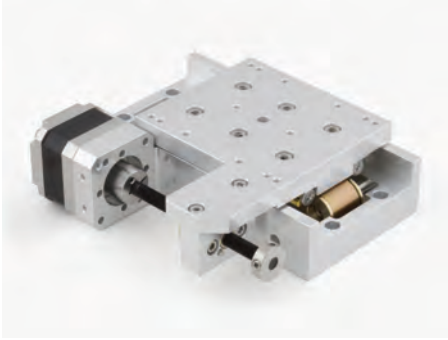
Specification	VSM17-R-3K6
Rotation Range	360°
Resolution in Full Steps	0.1°
Steps per Revolution	3,600
Maximum Loaded Speed	100 rpm
Maximum Loaded Motor Step Frequency	5 kHz
Gear Type	Spur
Centred Load Capacity (Normal)	100 kg
Maximum Torque	1 Nm
Detent Torque	79 mNm
Backlash (Unloaded)	Less than resolution
Concentricity	±5 µm
Vacuum	1 x 10 ⁻¹⁰ mBar
Maximum Temperature	200°C (reduces to 120°C when an optical encoder is fitted)
Aperture Diameter	18 mm
Motor	D35.1
Mass Including Motor	1.7 kg

DIMENSIONS

VSM17-R-3K6



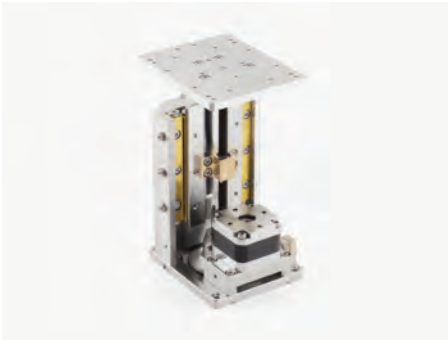
RELATED PRODUCTS



VSM17-X

High Performance, Modular UHV Compatible Stage.

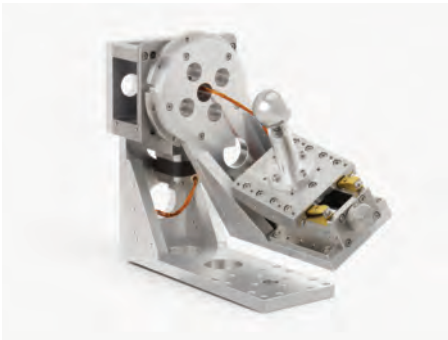
Linear translation stage suitable for use in UHV. Can support loads of up to several kilograms and travel from 25 to 200 mm. 5 μm resolution allows for precise in-vacuum motion.



VSM17-Z

High Performance, Modular UHV Stage for Z-Axis Translation.

Linear vertical translation stage suitable for use in UHV. Can support loads of up to several kilograms and travel from 50 mm. Designed specifically for Z-axis translation with its high load capacity.



VSM17-G

High Performance, Modular UHV Goniometer Stage.

Goniometer stage suitable for use in UHV. It is possible to build a Euler goniometer with a common centre of rotation.

ORDERING INFORMATION

Order Code	
VSM17-R-3K6	Rotation stage
VSM17-R-3K6-LS	Rotation stage with limit switch
VSM17-R-3K6-EA	Rotation stage with encoder (absolute)
VSM17-R-3K6-R	Rotation stage, radiation resistant

北京润诚时代科技有限公司

自动化事业部

地址：北京市朝阳区汤立路218号C 座968室

邮编：100012

电话：010-84450370

传真：010-84450371

网址：www.runcheng.net

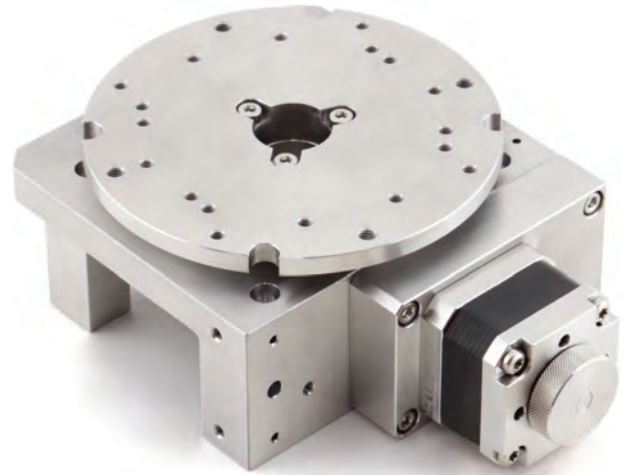
邮箱：runcheng_emd@sina.com

VSM17-R-72K Rotation Stage

Modular UHV Rotation Sample Transporter

AML ultra high vacuum compatible rotation stages are manufactured with UHV compatible material and construction methods in an ISO 7 cleanroom and utilise AML D35.1 UHV stepper motors.

The VSM17-R-72K stage feature a precision cross-roller ring bearing system, providing high rotational accuracy capable of bearing loads in every direction. It has a 18 mm clear aperture, worm and wheel gearing and can optionally be fitted with an optical UHV compatible rotary encoder.



FEATURES

- 360° rotation range
- 0.005° resolution
- Better than resolution unidirectional repeatability
- Maximum loaded speed of up to 4 rpm
- Maximum torque of up to 8 Nm
- Suitable for use to 1×10^{-10} mBar
- Bakeable to 200 °C
- 100 kg centre load capacity
- Features AML D35.1 stepper motor
- Can optionally be fitted with a limit switch or an optical encoder
- Radiation resistant versions available
- Directly stackable for XYZ orientations
- Compatible with VSM17 modular stages
- May be customised for specific requirements
- Lubricated with NyeTorr® 6300 grease

北京润诚时代科技有限公司

自动化事业部

地址：北京市朝阳区汤立路218号C 座968室

邮编：100012

电话：010-84450370

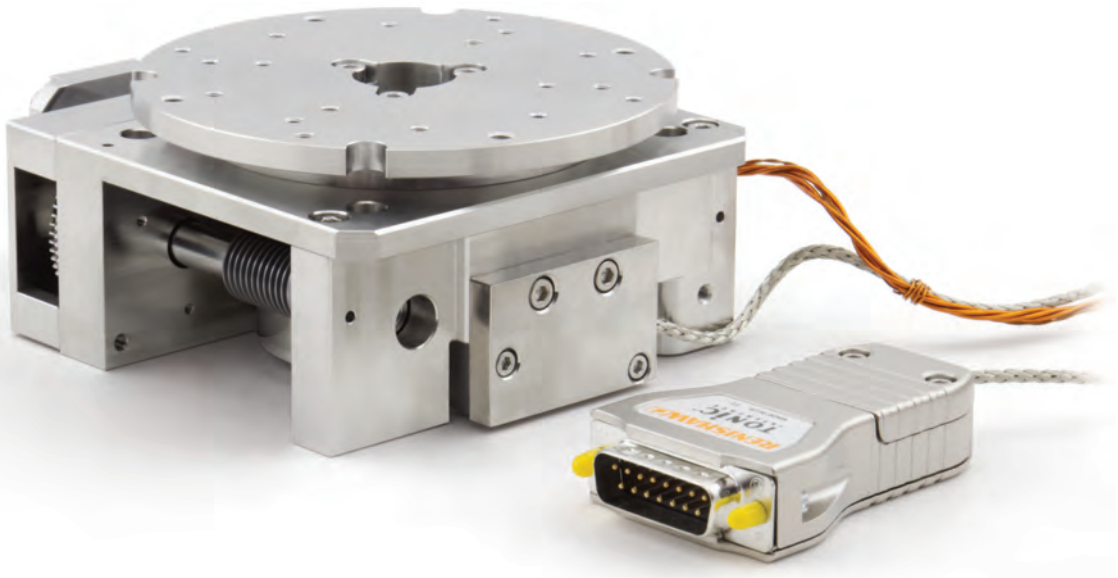
传真：010-84450371

网址：www.runcheng.net

邮箱：runcheng_emd@sina.com

SPECIFICATIONS

Specification	VSM17-R-72K
Rotation Range	360°
Resolution in Full Steps	0.005°
Steps per Revolution	72,000
Maximum Loaded Speed	4 rpm
Maximum Loaded Motor Step Frequency	5 kHz
Gear Type	Worm and Wheel
Centred Load Capacity (Normal)	100 kg
Maximum Torque	8 Nm
Detent Torque	N/A
Backlash (Unloaded)	0.2°
Concentricity	±8 µm
Vacuum	1 x 10 ⁻¹⁰ mBar
Maximum Temperature	200°C (reduces to 120°C when an optical encoder is fitted)
Aperture Diameter	18 mm
Motor	D35.1
Mass Including Motor	1.66 kg

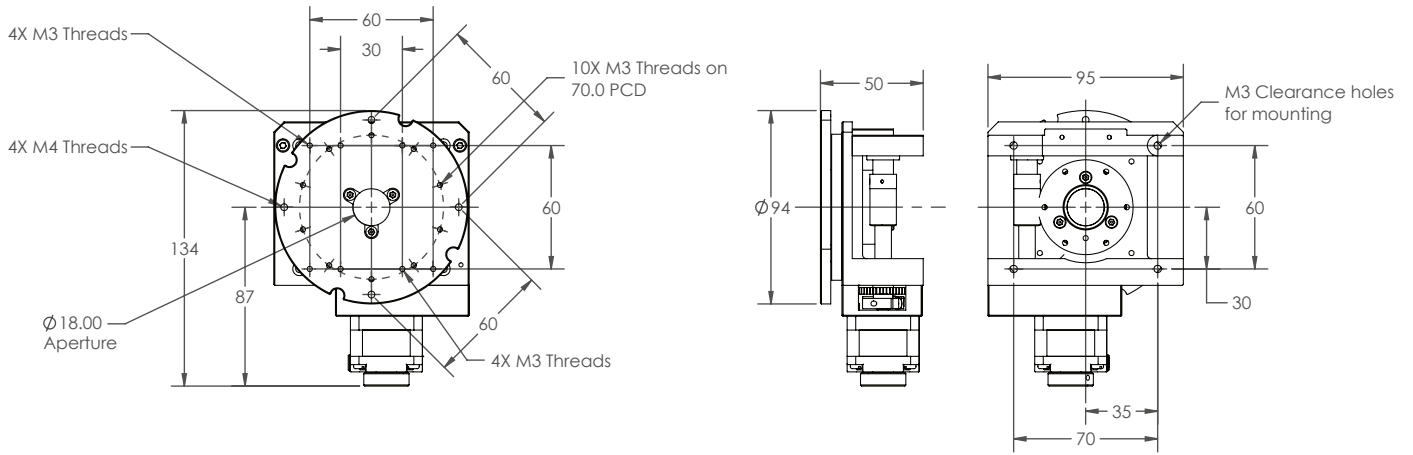


VSM17-R-72K-E:

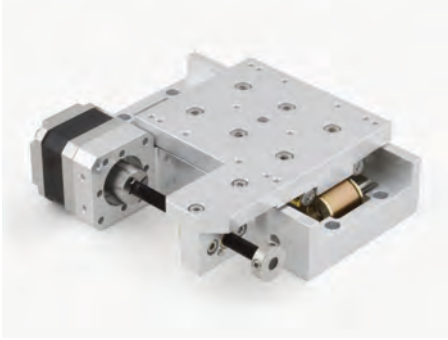
Modular UHV rotation stage with optional optical encoder.

DIMENSIONS

VSM17-R-72K



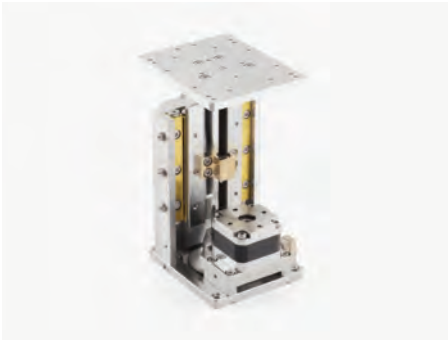
RELATED PRODUCTS



VSM17-X

High Performance, Modular UHV Compatible Stage.

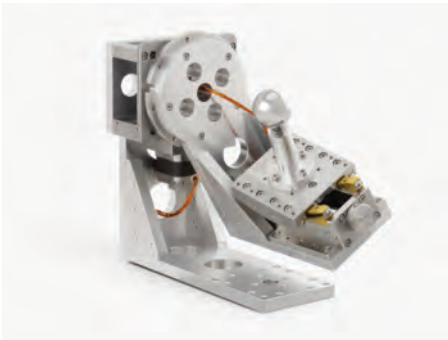
Linear translation stage suitable for use in UHV. Can support loads of up to several kilograms and travel from 25 to 200 mm. 5 μm resolution allows for precise in-vacuum motion.



VSM17-Z

High Performance, Modular UHV Stage for Z-Axis Translation.

Linear vertical translation stage suitable for use in UHV. Can support loads of up to several kilograms and travel from 50 mm. Designed specifically for Z-axis translation with its high load capacity.



VSM17-G

High Performance, Modular UHV Goniometer Stage.

Goniometer stage suitable for use in UHV. It is possible to build a Euler goniometer with a common centre of rotation.

ORDERING INFORMATION

Order Code	
VSM17-R-72K	Rotation stage
VSM17-R-72K-LS	Rotation stage with limit switch
VSM17-R-72K-EA	Rotation stage with encoder (absolute)
VSM17-R-72K-R	Rotation stage, radiation resistant

北京润诚时代科技有限公司

自动化事业部

地址：北京市朝阳区汤立路218号C 座968室

邮编：100012

电话：010-84450370

传真：010-84450371

网址：www.runcheng.net

邮箱：runcheng_emd@sina.com